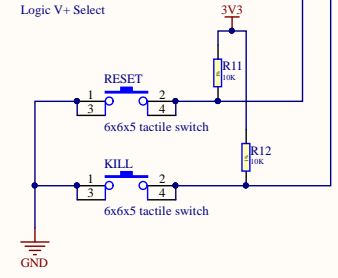
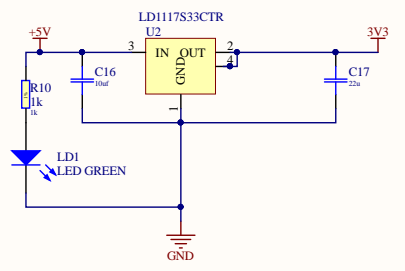
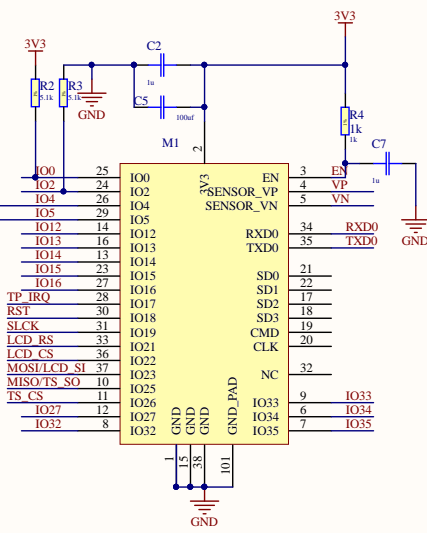
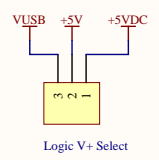
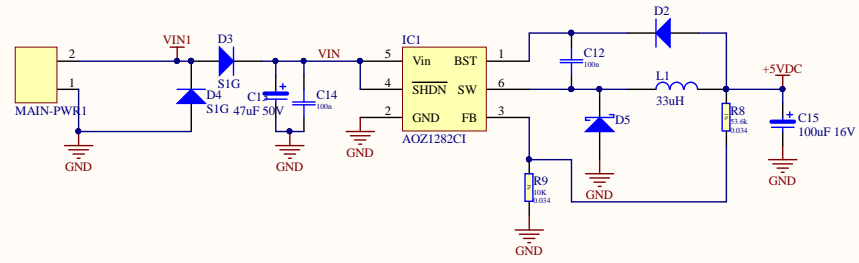
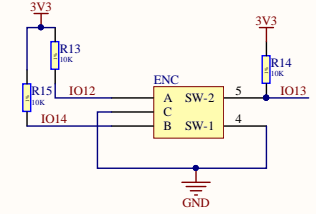


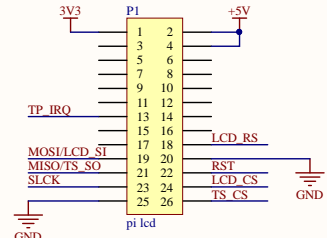
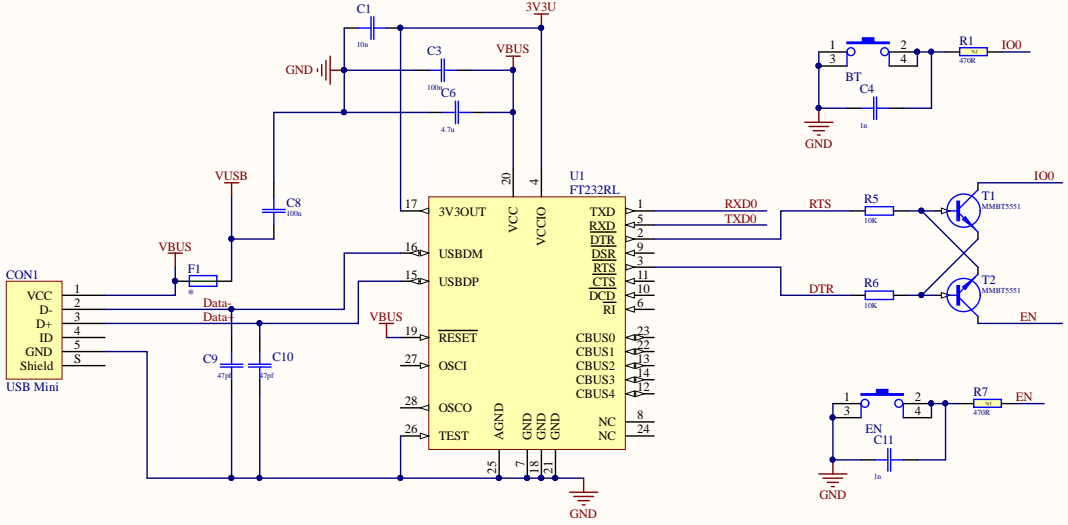
ESP32 WROOM MODULE



- P2 PAD3mm
- P3 PAD3mm
- P4 PAD3mm
- P5 PAD3mm

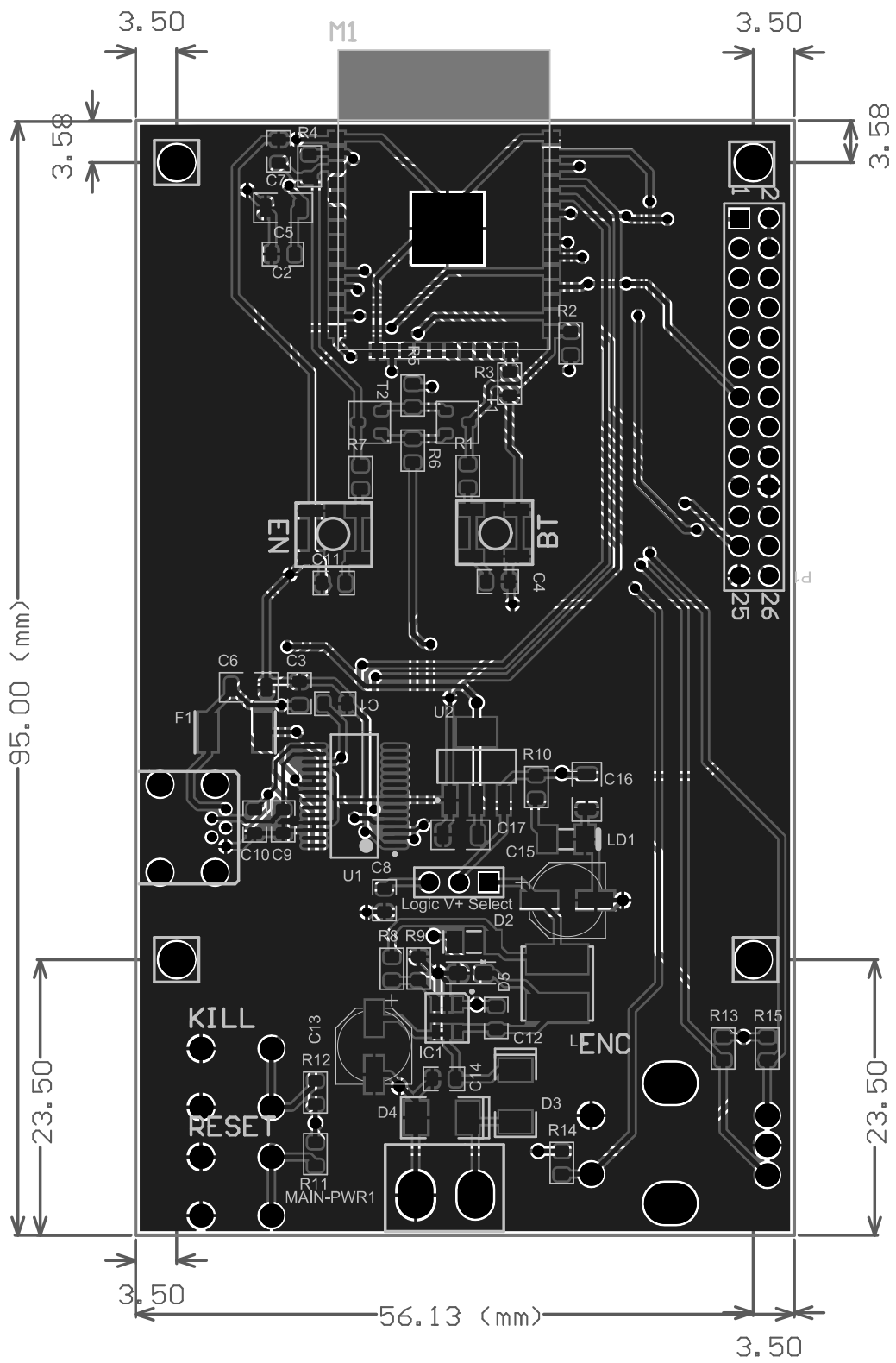


USB - UART & ESP32 BOOTSTRAP



Note: There are several 3.5inch displays with this setup. There are also some that don't have LCD_RS and the RST is TS_IRQ. Software change will be required to match.

Title		
Size	Number	Revision
A3		
Date:	29/10/2017	Sheet of
File:	C:\esp32dev\3dprinterdisplay.SchDoc	Drawn By:



Comment	Description	Designator	Footprint	LibRef	Quantity
10n	SMD-0805 50V Y5V +80/-20%	C1	C0805(2013)	C-0805 50V 100n	1
1u	SMD-0805 50V Y5V +80/-20%	C2, C7	C0805(2013)	C-0805 50V 1u	2
100n	SMD-0805 50V Y5V +80/-20%	C3, C8, C12, C14	C0805(2013)	C-0805 50V 100n	4
1n	SMD-0805 50V CoG 5%	C4, C11	C0805(2013)	C-0805 50V 1n	2
100uf	SMD-1206 6.3V X7R 10%	C5	C1206(3216)	C-1206 100V 1u	1
4.7u	SMD-1206 50V X7R +10%	C6	C1206(3216)	C-1206 50V 4.7u	1
47pf	SMD-0805 50V Y5V +80/-20%	C9, C10	C0805(2013)	C-0805 50V 47pf	2
CapE-6.3-47uF-50V	Polarized Capacitor (Surface Mount)	C13	CAP EL PANASONIC	CapE-6.3-47uF-50V	1
CapE-6.3-100uF-16V	Polarized Capacitor (Surface Mount)	C15	CAP EL PANASONIC	CapE-6.3-100uF-16V	1
10uf	SMD-1206 16v 10uf X7R +10%	C16	C1206(3216)	C-1206 50V 10u	1
22u	SMD-1206 16v X7R +10%	C17	C1206(3216)	C-1206 50V 22u	1
USB Mini		CON1	USB Mini r2	USB 2.0 Type B MINI	1
	Default Diode	D2	1N4148 SMD	Diode100V150mA	1
S1G	S1G Diode 400V 1A	D3, D4	1N4007 SMD	Diode S1G	2
Diode Schottky 2A 40V	Default Diode	D5	DIOM2616X08N	Diode Schottky 2A 40V	1
rotary encoder		ENC	rotary encoder	rotary encoder	1
	Fuse	F1	F1812	F	1
AOZ1282CI		IC1	SOT23-6N	Buck Regulator AOZ1282CI	1
6x6x5 tactile switch		KILL, RESET	6x6x5 Tact switch	6x6x5 tactile switch	2
Inductor SMD 33uH 2.5A	MagneticCore Inductor with Winding Polarity Marking	L1	SRN6045TA SMD Inductor	Inductor SMD 33uH 2.5A	1
LED GREEN	LED 3.2X2.4MM 574NM GRN CLR SMD	LD1	KB SMD APD3224CGCK- F01	LED SMT GRN 1206	1
ESP32S_Module	Esp-32S	M1	ESP32S_W	ESP32S_Module	1
MAIN-PWR	Screw Terminal 5mm 2- Way	MAIN-PWR1	TERM2 5MM	Screw Terminal-5mm- 2Way	1
pi lcd	pi 3.5 inch lcd	P1	Pi Display	pi lcd	1
PAD3mm		P2, P3, P4, P5	PAD3mm	PAD3mm	4
BT		PB1	4x4 Tact Switch	SW-PB RS	1
EN		PB2	4x4 Tact Switch	SW-PB RS	1
470R	SMD 0805 0.1W 1% 150V	R1, R7	R0805	R-0805-1% 470R	2
5.1k	SMD 0805 0.1W 1% 150V	R2, R3	R0805	R-0805-1% 5.1K	2
1k	SMD 0805 0.1W 1% 150V	R4, R10	R0805	R-0805-1% 1K	2
10K	SMD 0805 0.1W 5% 150V, SMD 0805 0.1W 5% 150V, SMD 0805 0.1W 1% 150V, SMD 0805 0.1W 1% 150V, SMD 0805 0.1W 1% 150V, SMD 0805 0.1W 1% 150V, SMD 0805 0.1W 1% 150V, SMD 0805 0.1W 1% 150V	R5, R6, R9, R11, R12, R13, R14, R15	R0805	R-0805 10K, R-0805 10K, R-0805-1% 100K, R- 0805-1% 5.1K, R-0805- 1% 5.1K, R-0805-1% 5.1K, R-0805-1% 5.1K, R- 0805-1% 5.1K	8
53.6k	SMD 0805 0.1W 1% 150V	R8	R0805	R-0805-1% 100K	1
MMBT5551	160V 0.6A 300MHz	T1, T2	SOT23	MMBT5551	2
FT232RL	USB UART Asynchronous Serial Data Transfer Chip, 28- pin SSOP, Tape and Reel	U1	SSOP-28_N	FT232RL-Reel	1
LD1117S33CTR		U2	SOT223	LD1117S33CTR	1
Logic V+ Select	Header, 3-Pin	VSel	HDR1X3	Header 3	1